

# Planar Inductors for the PQ20,26,32 Sizes 0.4-6.0μH, 80A max



**Contact Information:**

Standex-Meder Electronics  
World Headquarters  
4538 Camberwell Road  
Cincinnati, OH 45209 USA

**Standex Americas (OH)**  
+1.866.STANDEX  
(+1.866.782.6339)  
info@standexelectronics.com

**Meder Americas (MA)**  
+1.800.870.5385  
salesusa@standexmeder.com

**Standex-Meder Asia (Shanghai)**  
+86.21.37820625  
salesasia@standexmeder.com

**Standex-Meder Europe (Germany)**  
+49.7731.8399.0  
info@standexmeder.com

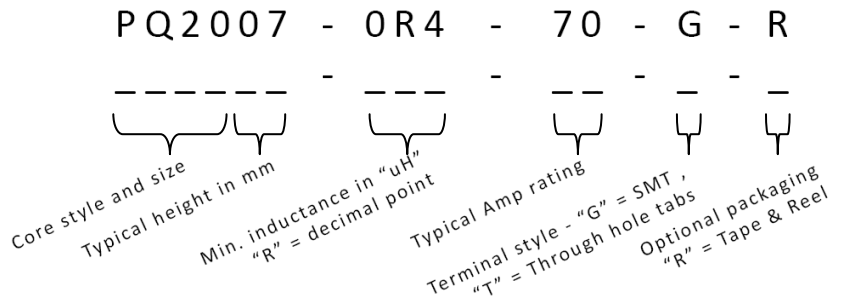
- Planar magnetics have a better power density and performance compared to equivalent wire wound transformer designs.
- Standex-Meder has multiple manufacturing facilities around the world including TS16949 and AS9100 certified and ITAR registered sites.
- Standex-Meder specializes in customizing designs to specific customer needs for a wide power range. Please contact us to provide the optimal solution for your application.
- Applications include but are not limited to: switching power supplies, DC/DC converters in distributed power systems, FPGA and low-profile high-current, high current POL converters, feedback control, overload sensing, load drop and shut down detection
- Markets include Electronics, Telecommunications, Medical, Aerospace, Industrial, Automotive, Appliance and many others

**Standard PN Datasheet**

Catalog Part Number	Core Style	Height (mm)	Nom. Amps	Inductance (μH)	DCR (mΩ) Nom.	Isat (A) typ	
						10% drop	20% drop
PQ2007-0R4-70-G or T - R	PQ20	7	70	0.4	0.7	71	83
PQ2006-1R0-30-G or T - R	PQ20	6	30	1.0	1.0	35	39
PQ2007-2R2-25-G or T - R	PQ20	7	25	2.2	3.5	29	32
PQ2007-4R4-15-G or T - R	PQ20	7	15	4.4	3.6	16	18
PQ2613-1R0-80-G or T - R	PQ26	13	80	1.0	1.2	110	120
PQ3213-0R9-70-G or T - R	PQ32	13	70	0.9	1.0	100	110
PQ3218-3R3-70-G or T - R	PQ32	18	70	3.3	1.1	74	80
PQ3218-6R0-50-G or T - R	PQ32	18	50	6.0	1.5	51	57

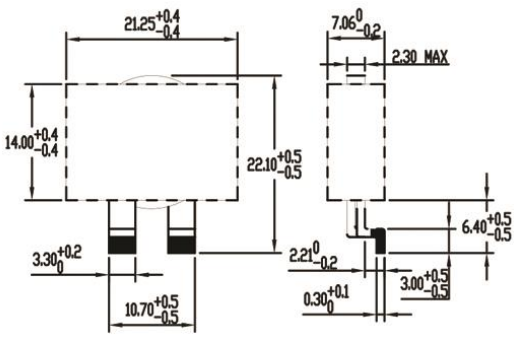
Notes: All Electrical Values at 25°C | Pri: Sec'y: Core Isolation 300 Vrms | Maximum Non-Operating Temperatures : -55°C to +180°C | Maximum Operating Rated Temperatures: -30°C to +125°C

**Example**

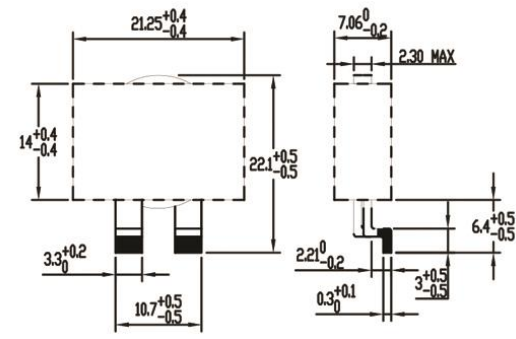


**Mechanical Dimensions in mm – Planar Inductors for the PQ20,26,32 Sizes | 0.4-6.0μH, 80A max**

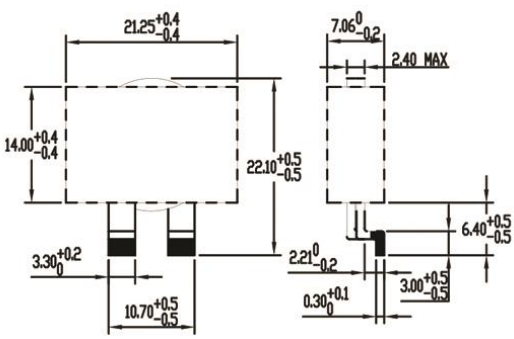
**PQ2007-0R4-70-G | 0.4 μH**



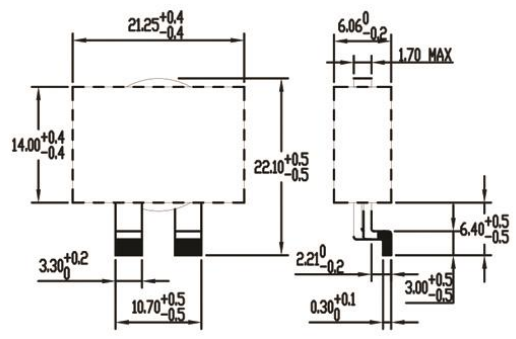
**PQ2007-2R2-25-G | 2.2 μH**



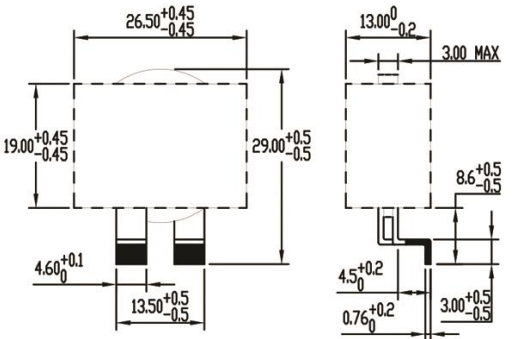
**PQ2007-4R4-15-G | 4.4 μH**



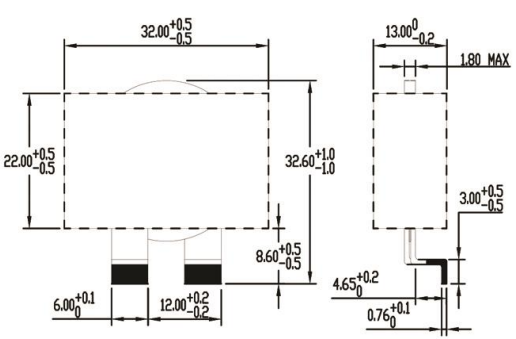
**PQ2006-1R0-30-G | 1.0 μH**



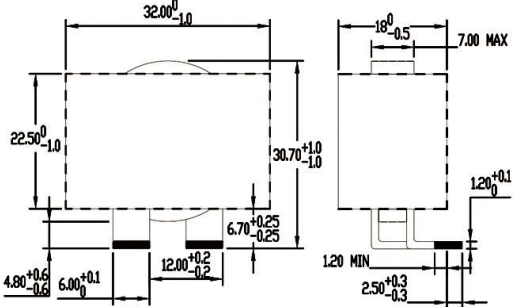
**PQ2613-1R0-80-G | 1.0 μH**



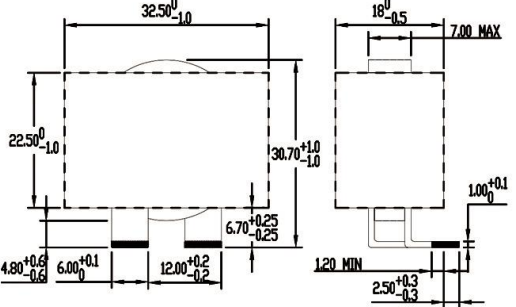
**PQ3213-0R9-70-G | 0.9 μH**



**PQ3218-3R3-70-T | 3.3 μH**

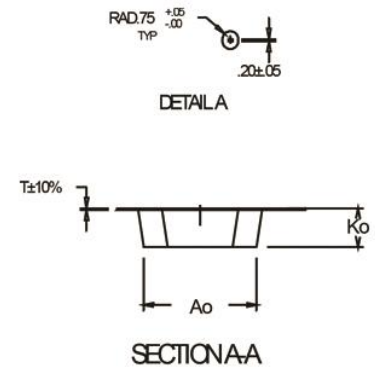
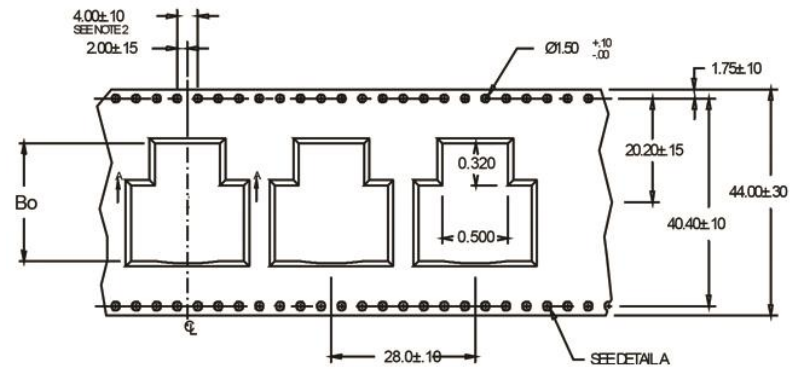


**PQ3218-6R0-50-T - 6.0 μH**

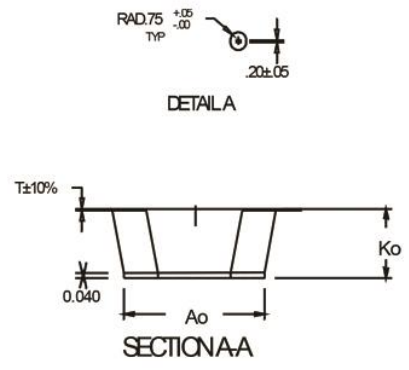
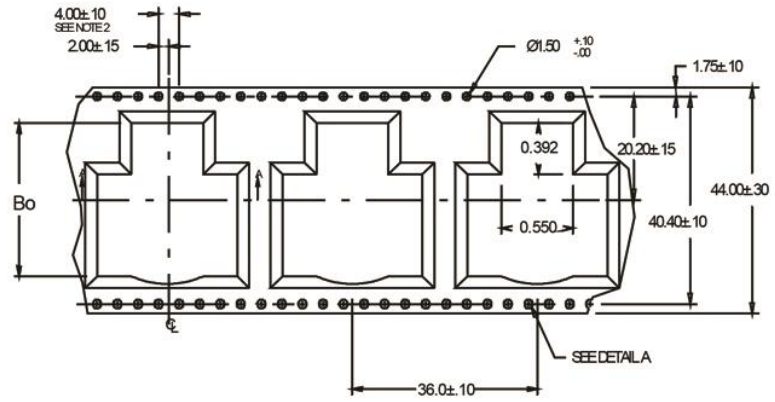


**Tape & Reel Dimensions in mm – Planar Inductors for the PQ20,26,32 Sizes**

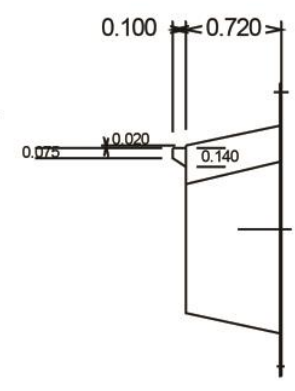
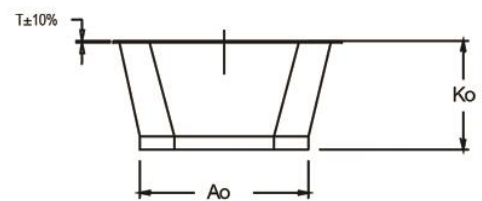
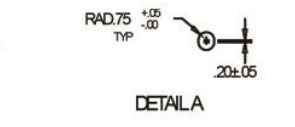
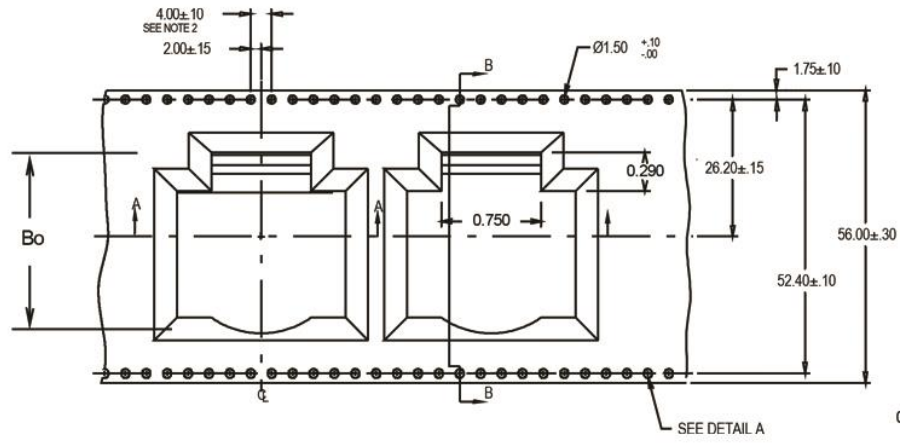
**PQ20XX**



**PQ26XX**



**PQ32XX**



SECTION A-A

SECTION B-B