


**■ Features :**

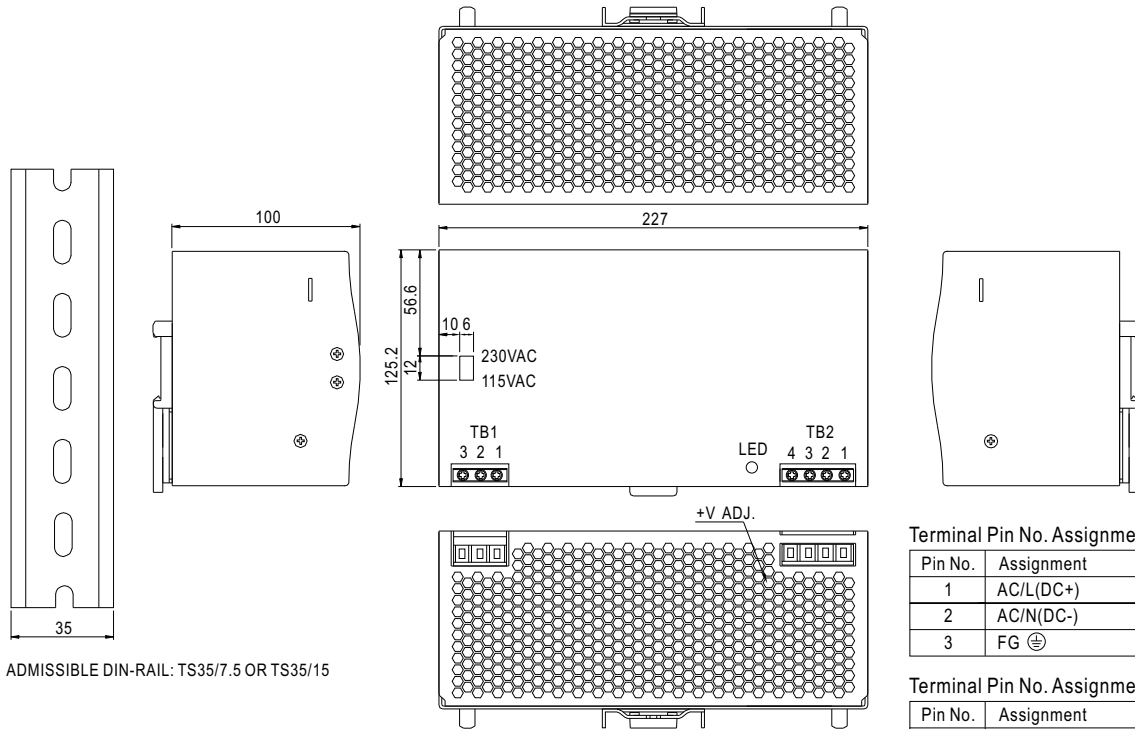
- AC input range selectable by switch
- Built-in passive PFC function compliance to EN61000-3-2
- High efficiency 89% and low dissipation
- Protections: Short circuit / Overload / Over voltage / Over temperature
- Cooling by free air convection
- Built-in constant current limiting circuit
- Can be installed on DIN rail TS-35/7.5 or 15
- UL 508(industrial control equipment)approved
- EN61000-6-2(EN50082-2) industrial immunity level
- 100% full load burn-in test
- 3 years warranty


**SPECIFICATION**

| MODEL                 | DRP-480S-24   | DRP-480S-48  |                |                |
|-----------------------|---|--|----------------|----------------|
| OUTPUT                | DC VOLTAGE  | 24V  | 48V            |                |
|                       | RATED CURRENT   | 20A  | 10A            |                |
|                       | CURRENT RANGE   | 0 ~ 20A  | 0 ~ 10A        |                |
|                       | RATED POWER   | 480W   | 480W           |                |
|                       | RIPPLE & NOISE (max.) Note.2  | 120mVp-p   | 120mVp-p       |                |
|                       | VOLTAGE ADJ. RANGE  | 24 ~ 28V   | 48 ~ 55V       |                |
|                       | VOLTAGE TOLERANCE Note.3  | ±1.0%  | ±1.0%          |                |
|                       | LINE REGULATION   | ±0.5%  | ±0.5%          |                |
|                       | LOAD REGULATION   | ±1.0%  | ±1.0%          |                |
|                       | SETUP, RISE TIME  | 1200ms, 40ms/230VAC,115VAC at full load  |                |                |
| HOLD UP TIME (Typ.)   | 23ms/230VAC,115VAC at full load   |  |                |                |
| INPUT                 | VOLTAGE RANGE   | 90 ~ 132VAC/180 ~ 264VAC by switch   | 254 ~ 370VDC   |                |
|                       | FREQUENCY RANGE   | 47 ~ 63Hz  |                |                |
|                       | POWER FACTOR (Typ.)   | ≥ 0.7/230VAC only  |                |                |
|                       | EFFICIENCY (Typ.)   | 89%  |                |                |
|                       | AC CURRENT (Typ.)   | 8A/115VAC  | 3.2A/230VAC    |                |
|                       | INRUSH CURRENT (Typ.)   | COLD START 27A/115VAC  | 45A/230VAC     |                |
| LEAKAGE CURRENT       | <3.5mA / 240VAC   |  |                |                |
| PROTECTION            | OVERLOAD  | 105 ~ 150% rated output power<br>Protection type : Constant current limiting, recovers automatically after fault condition is removed                |                |                |
|                       | OVER VOLTAGE  | 30 ~ 36V   | 59 ~66V        |                |
|                       | OVER TEMPERATURE  | 100°C ±5°C (TSW : detect on heatsink of power switch)<br>Protection type : Shut down o/p voltage, recovers automatically after temperature goes down |                |                |
| ENVIRONMENT           | WORKING TEMP.   | -20 ~ +70°C (Refer to "Derating Curve")  |                |                |
|                       | WORKING HUMIDITY  | 20 ~ 90% RH non-condensing   |                |                |
|                       | STORAGE TEMP., HUMIDITY   | -40 ~ +85°C, 10 ~ 95% RH   |                |                |
|                       | TEMP. COEFFICIENT   | ±0.03%/°C (0 ~ 50°C)   |                |                |
| SAFETY & EMC (Note 4) | VIBRATION   | Component:10 ~ 500Hz, 2G 10min./1cycle, 60min. each along X, Y, Z axes; Mounting: Compliance to IEC60068-2-6   |                |                |
|                       | SAFETY STANDARDS  | UL508, UL60950-1, TUV EN60950-1 approved   |                |                |
|                       | WITHSTAND VOLTAGE   | I/P-O/P:3KVAC  | I/P-FG:1.5KVAC | O/P-FG:0.5KVAC |
|                       | ISOLATION RESISTANCE  | I/P-O/P, I/P-FG, O/P-FG:100M Ohms / 500VDC / 25°C / 70% RH   |                |                |
|                       | EMC EMISSION  | Compliance to EN55011 (CISPR11), EN55022 (CISPR22), EN61204-3 Class B, EN61000-3-2,-3  |                |                |
|                       | EMC IMMUNITY  | Compliance to EN61000-4-2,3,4,5,6,8,11, EN61204-3, EN61000-6-2 (EN50082-2), heavy industry level, criteria A   |                |                |
| OTHERS                | MTBF  | 187.9Khrs min. MIL-HDBK-217F (25°C)  |                |                |
|                       | DIMENSION   | 227*125.2*100mm (W*H*D)  |                |                |
|                       | PACKING   | 2.6Kg; 6pcs / 16.6Kg / 1.75CUFT  |                |                |
| NOTE                  | 1. All parameters NOT specially mentioned are measured at 230VAC input, rated load and 25°C of ambient temperature.<br>2. Ripple & noise are measured at 20MHz of bandwidth by using a 12" twisted pair-wire terminated with a 0.1uf & 47uf parallel capacitor.<br>3. Tolerance : includes set up tolerance, line regulation and load regulation.<br>4. The power supply is considered a component which will be installed into a final equipment. The final equipment must be re-confirmed that it still meets EMC directives. |  |                |                |

### Mechanical Specification

Case No.930 Unit:mm



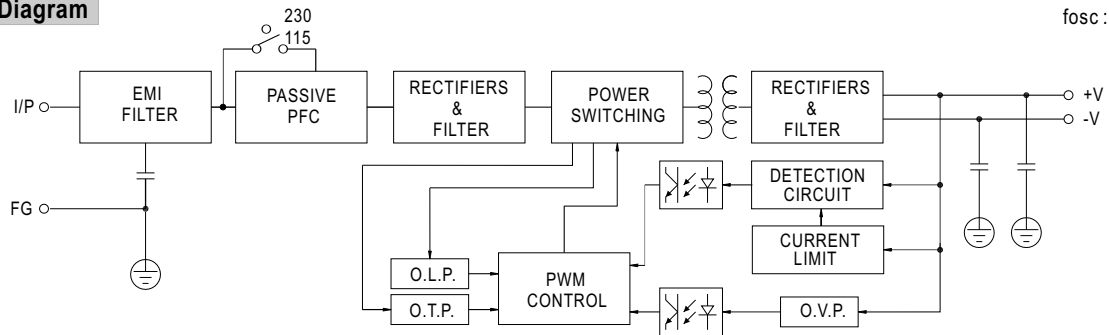
#### Terminal Pin No. Assignment (TB1)

| Pin No. | Assignment |
|---------|------------|
| 1       | AC/L(DC+)  |
| 2       | AC/N(DC-)  |
| 3       | FG ⊕       |

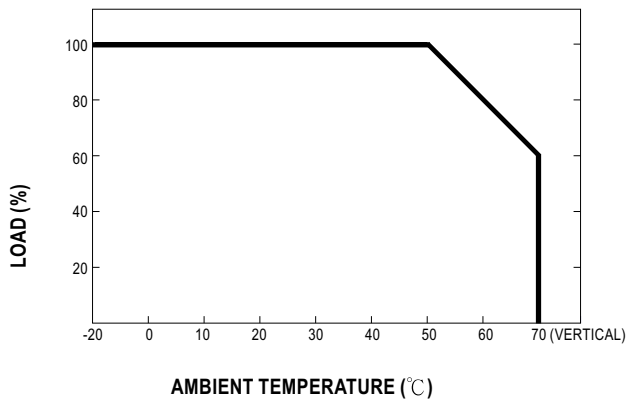
#### Terminal Pin No. Assignment (TB2)

| Pin No. | Assignment   |
|---------|--------------|
| 1,2     | DC OUTPUT +V |
| 3,4     | DC OUTPUT -V |

### Block Diagram



### Derating Curve



### Output Derating VS Input Voltage

